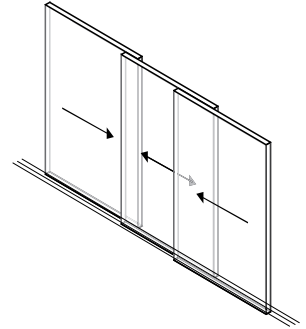


# 3001 RANGE SLIDING

## PRODUCT INFORMATION

The Vitrocsa 3001 range offers sliding window surfaces of up to 6 m<sup>2</sup> with 26-mm-thick double glazing. The first Vitrocsa 3001 window was developed at the start of the 1990s. With the experience we now have, we can guarantee that this system presents no hidden defects.

The roller mechanism and sealing system work perfectly, provided that the window has been assembled in line with good industry practices.



## RAILS + FRAMES

- Embedded and concealed in the floor, wall and ceiling
- Frame just 99.5 mm wide for a birail (mono: 45 mm + 9.5 mm seal)
- Saline treatment specially adapted for coastal projects

## CLOSURE MECHANISM

- 1-point closure button (029, 035, 055)
- Cylinder
- Alarms

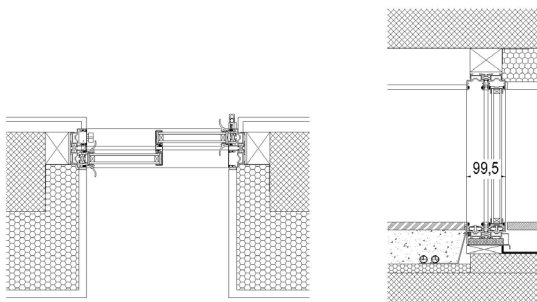
## VERTICAL CONNECTION

- 18.5 mm
- Reinforced for very windy locations or installation at high altitudes

## GLAZING

- 26 mm
- Panels up to 6 m<sup>2</sup>

## MAIN CROSS SECTIONS



## OPTIONS

- Standard sliding (up to 6 m<sup>2</sup>)
- Fixed (up to 9 m<sup>2</sup>)
- Open angle
- Pocket

VITROCSA Headquarters  
Orchidées Constructions SA  
Rue de la Gare 8  
2024 Saint-Aubin-Sauges  
Switzerland

T +41 24 436 22 02  
F +41 24 436 22 02  
[www.vitrocsa.com](http://www.vitrocsa.com)  
[info@vitrocsa.com](mailto:info@vitrocsa.com)

V I T R O C S A

THE MINIMALIST WINDOW



# 3001 RANGE SLIDING

## PERFORMANCE

To clearly demonstrate the properties of the VITROCSA 3001 SLIDING window, we have conducted standardised tests in an accredited laboratory (SWISS TESTING SERVICE NUMBER STS 317).

The results of these investigative tests are shown in the table below:

<b>3001 fixed-sliding</b>	<b>Standards (test and classification)</b>	<b>Classification</b>
Air permeability	EN 1026 (test) EN 12207 (classification)	Class 4
Water permeability	EN 1027 (test) EN 12208 (classification)	Class 7A
Repeated opening/closing	EN 1191 (test) EN 12400 (classification)	Class 3 (20,000 cycles)
Resistance to a vertical load	EN 14608 (test) EN 13115 (classification)	Class 3 (600 N)
Resistance to break-ins	EN 1628 to 1630 (test) EN 1630 (classification)	WK2/RC2 (resistance class 2)