

# 3001 range Pivoting

## PRODUCT INFORMATION

With its 26-mm-thick double glazing, the Vitrocsa 3001 range is suitable for pivoting glazed surfaces of up to 3 m<sup>2</sup> per pane depending on the wind resistance, with a visible frame of just 32 mm.

The sophisticated closing system is ingeniously integrated in the lower section, enabling the door to be locked and providing a perfect seal.

This system resembles a watch mechanism, and is completely hidden inside the frame.

The pivot axis may be central or offset (at least 190 mm) to create a larger opening, and a pivoting surface may be next to a sliding or fixed door.

### RAILS + FRAMES

- Embedded and concealed in the floor, wall and ceiling
- Rails just 99.5 mm wide for a birail (mono: 45 mm + 9.5 mm seal)
- Saline treatment specially adapted for coastal projects

### GLAZING

- 26 mm
- Panels up to 3 m<sup>2</sup>

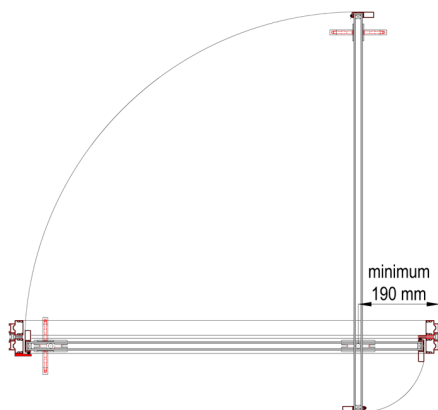
### VERTICAL CONNECTION

- 18.5 mm
- Reinforced for very windy locations or installation at high altitudes

### CLOSURE MECHANISM

- Rack
- Mobile cover

## MAIN CROSS SECTIONS



## OPTIONS

- Pivoting (up to 3 m<sup>2</sup>)

VITROCSA

VITROCSA HEADQUARTERS  
Orchidées Constructions SA  
Rue de la Gare 8  
2024 Saint-Aubin-Sauges  
Switzerland

T +41 24 436 22 02  
info@vitrocsa.com  
www.vitrocsa.com