

Swimms Range Sliding

PRODUCT INFORMATION

The profile assembly system is compatible with glazing thicknesses from 10 to 12 mm.

The Vitrocsa SWIMMS range is ideal for hot countries or internal partitions.

RAILS + FRAMES

- Embedded and concealed in the floor, wall and ceiling
- Frame just 64 mm wide for a birail (mono: 32 mm)
- Saline treatment specially adapted for coastal projects

GLAZING

- 10 mm to 20 mm (single glazing)

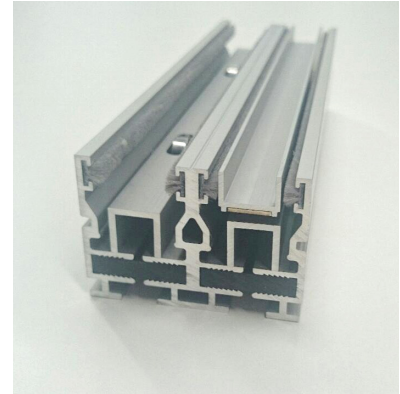
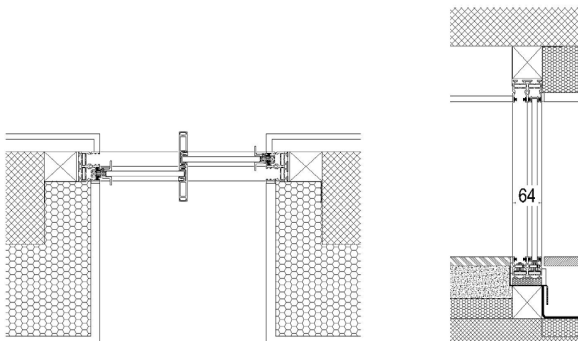
VERTICAL CONNECTION

- 17.2 mm
- Reinforced for very windy locations or installation at high altitudes

CLOSURE MECHANISM

- Two-point closure button

MAIN CROSS SECTIONS



OPTIONS

- Standard sliding (up to 18 m²+)
- Open angle
- Pocket

VITROCSA

VITROCSA HEADQUARTERS
Orchidées Constructions SA
Rue de la Gare 8
2024 Saint-Aubin-Sauges
Switzerland

T +41 24 436 22 02
info@vitrocsa.com
www.vitrocsa.com

PERFORMANCE

To clearly demonstrate the properties of the VITROCSA SWIMMS SLIDING window, we have conducted standardised tests in an accredited laboratory (SWISS TESTING SERVICE NUMBER STS 317).

The results of these investigative tests are shown in the table below:

SWIMMS fixed-sliding	Standards (test and classification)	Classification
Air permeability	EN 1026 (test) EN 12207 (classification)	Class 3
Water permeability	EN 1027 (test) EN 12208 (classification)	Class 7A
Wind resistance	EN 12211 (test) EN 12210 (classification)	Class C3